

The full source of this design is available at:
<https://www.studentrobotics.org/git/boards/servo-v4-hw.git>



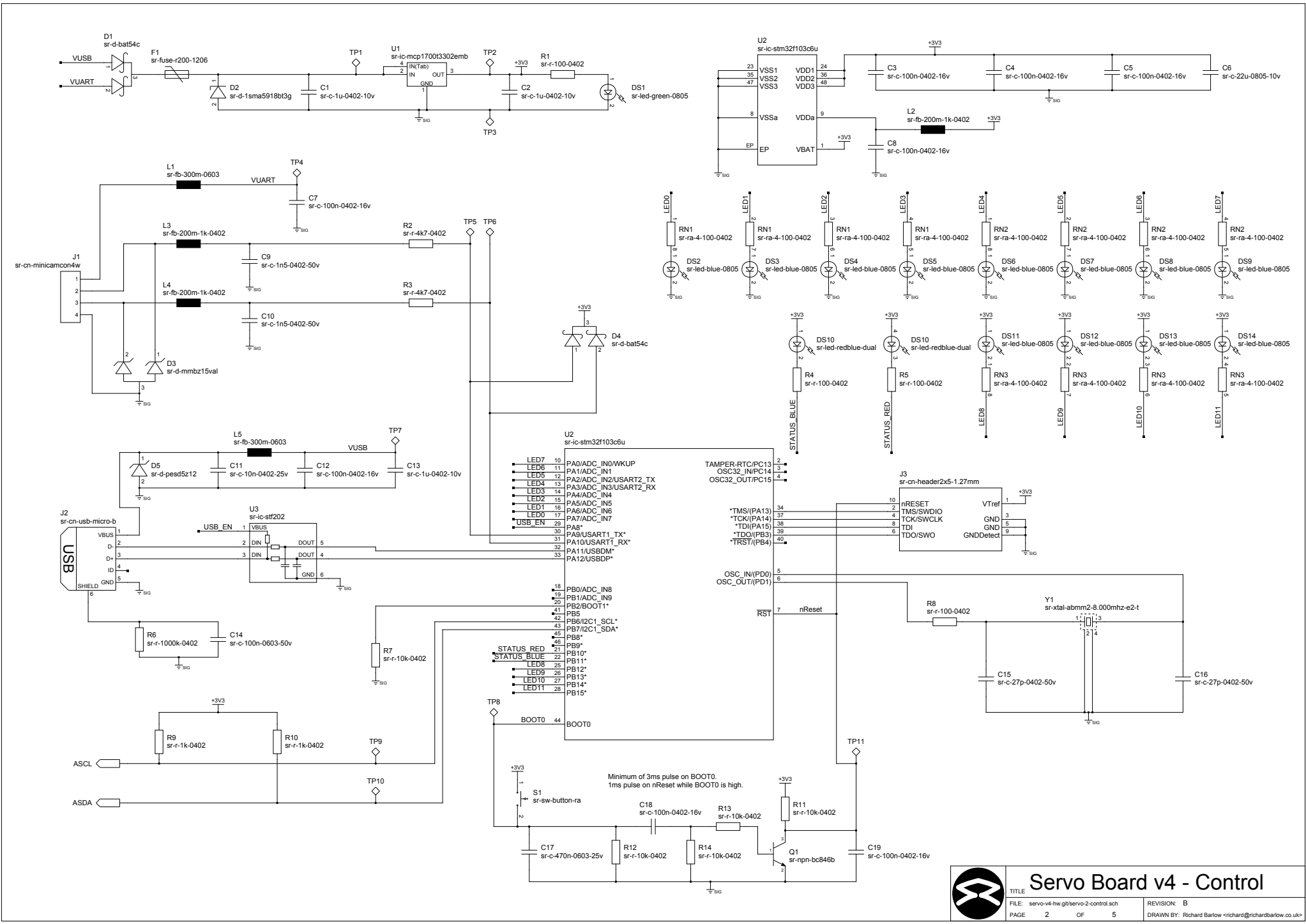
TITLE Servo Board v4

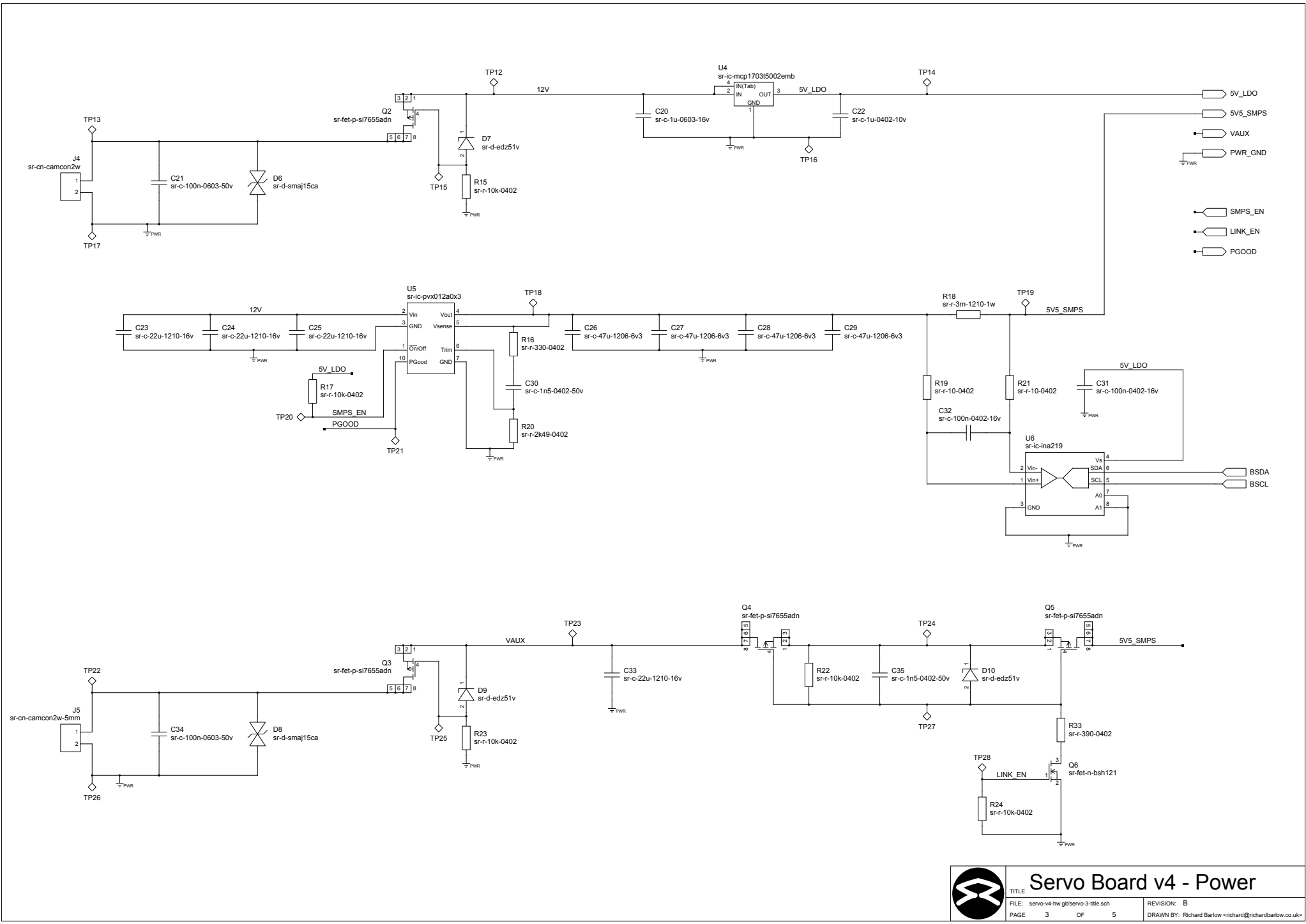
FILE: servo-v4-hw/git/servo-1-title.sch

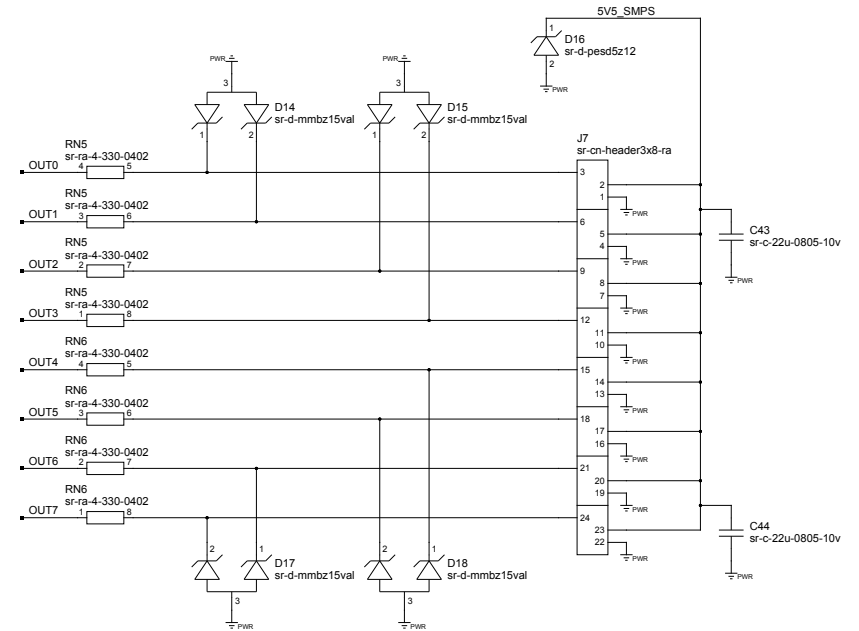
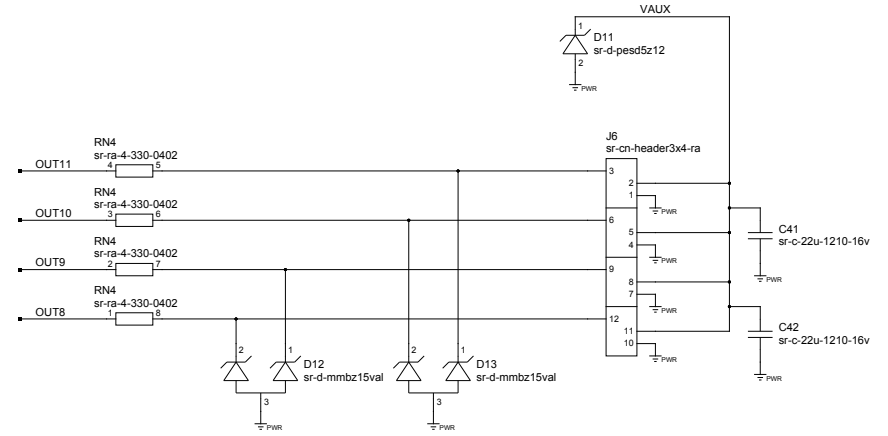
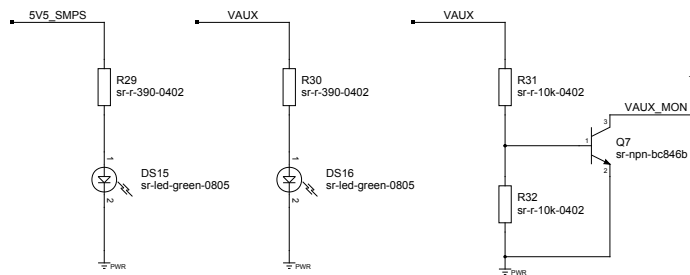
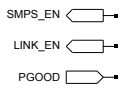
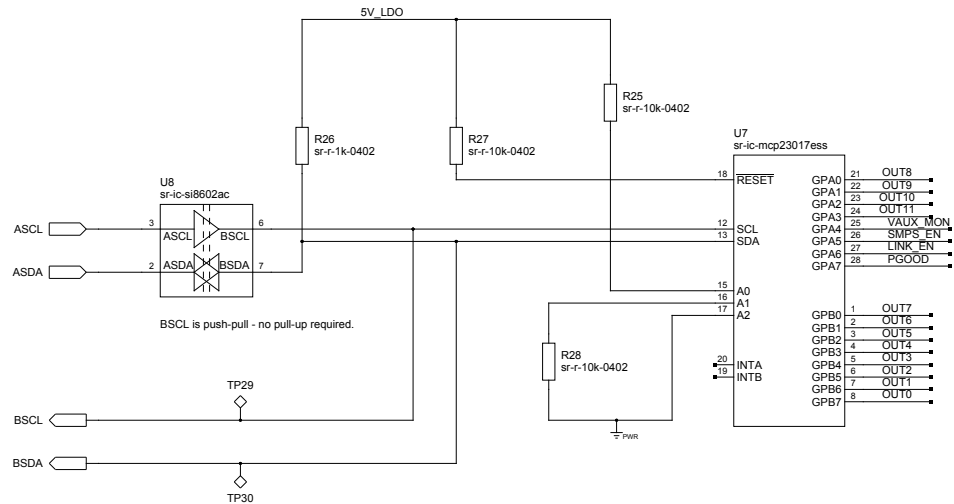
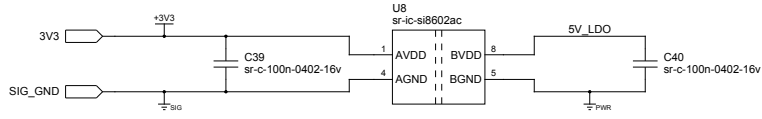
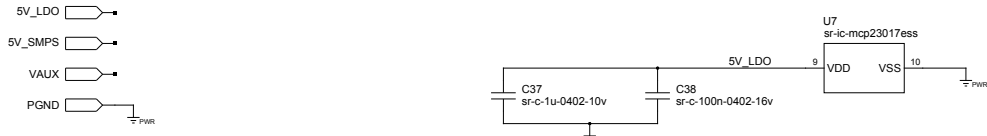
REVISION: B

PAGE 1 OF 5

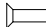
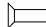
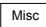
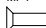
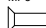
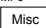
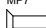
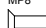
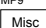
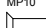
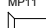
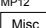

DRAWN BY: Richard Barlow <richard@richardbarlow.co.uk>







Servo Board v4 - Output

- MP1  sr-mech-screw-nylon-csk-m3-6
- MP2  sr-mech-screw-nylon-csk-m3-6
- MP3  sr-mech-spacer-ni-m3-14
- MP4  sr-mech-screw-nylon-csk-m3-6
- MP5  sr-mech-screw-nylon-csk-m3-6
- MP6  sr-mech-spacer-ni-m3-14
- MP7  sr-mech-screw-nylon-csk-m3-6
- MP8  sr-mech-screw-nylon-csk-m3-6
- MP9  sr-mech-spacer-ni-m3-14
- MP10  sr-mech-screw-nylon-csk-m3-6
- MP11  sr-mech-screw-nylon-csk-m3-6
- MP12  sr-mech-spacer-ni-m3-14
- MP13  sr-nothing
case.dxf in 3mm clear acrylic

